

# CD75MA5 Dri-Prime® Pump

The Godwin Dri-Prime CD75MA5 pump offers flow rates to 370 USGPM and has the capability of handling solids up to 1.6" in diameter.

The CD75MA5 is able to automatically prime to 28' of suction lift from dry. Manual starting/stopping available through integral mounted control panel.

Indefinite dry-running is no problem due to the unique Godwin liquid bath mechanical seal design. Solids handling, dry-running, and portability make the CD75MA5 the perfect choice for dewatering and bypass applications.



## Features and Benefits

- Simple maintenance normally limited to checking fluid levels and filters.
- Dri-Prime (continuously operated Venturi air ejector priming device) requiring no periodic adjustment. Venturi has no moving parts for simple, reliable operation.
- Extensive application flexibility handling sewage, slurries, and liquids with solids up to 1.6" in diameter.
- Dry-running high pressure liquid bath mechanical seal with high abrasion resistant solid silicon carbide faces.
- Close-coupled centrifugal pump with Dri-Prime system coupled to a diesel engine or electric motor.
- All aluminum construction (stainless steel construction option available) with cast iron impeller.
- Standard engine Kubota D722 (IT4 Flex).

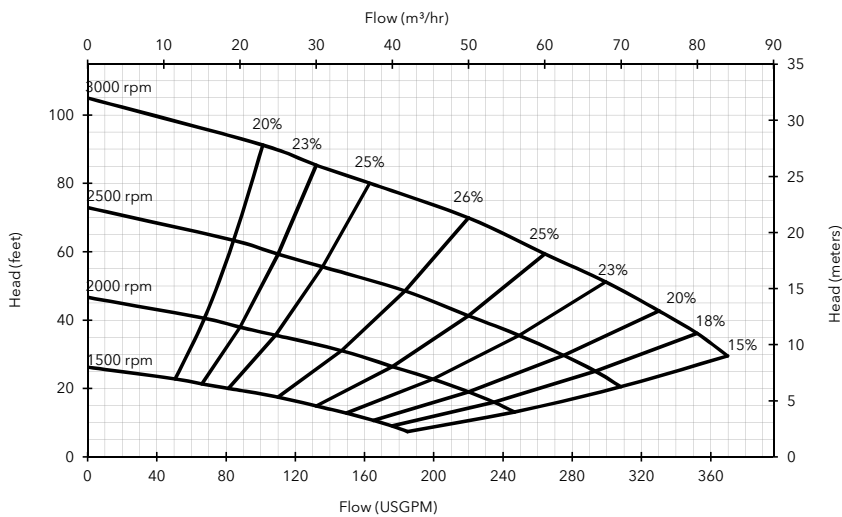
## Specifications

Suction connection	2" FNPT, 3" MNPT
Delivery connection	2" FNPT, 3" MNPT
Max capacity	370 USGPM †
Max solids handling	1.6"
Max impeller diameter	6.7"
Max operating temp	176°F*
Max pressure	45 psi
Max suction pressure	22 psi
Max casing pressure	68 psi
Max operating speed	3000 rpm

\* Please contact our office for applications in excess of 176°F.

† Larger diameter pipes may be required for maximum flows.

## Performance Curve



## Materials

Pump casing & suction cover	Silicon Aluminium BS1490 Grade LM25TF
Wearplates	N/A
Pump Shaft	SG Iron
Impeller	Cast iron to BS1452 Gr220
Non-return valve body	Silicon Aluminium BS1490 Grade LM25TF
Mechanical seal	Silicon carbide face; Viton elastomers; Stainless steel body

## Engine option 1

Kubota D722 (IT4 Flex), 17 HP @ 3000 rpm

Impeller diameter 6.7"

Pump speed 3000 rpm

### Suction Lift Table

Total Suction Head (feet)	Total Delivery Head (feet)				
	11	42	52	61	89
	Output (USGPM)				
10	285	195	164	132	63
15	217	169	137	100	37
20	169	143	106	63	-
25	143	106	74	32	-

Fuel capacity: 5 US Gal

Max Fuel consumption @ 3000 rpm: 1.0 US Gal/hr

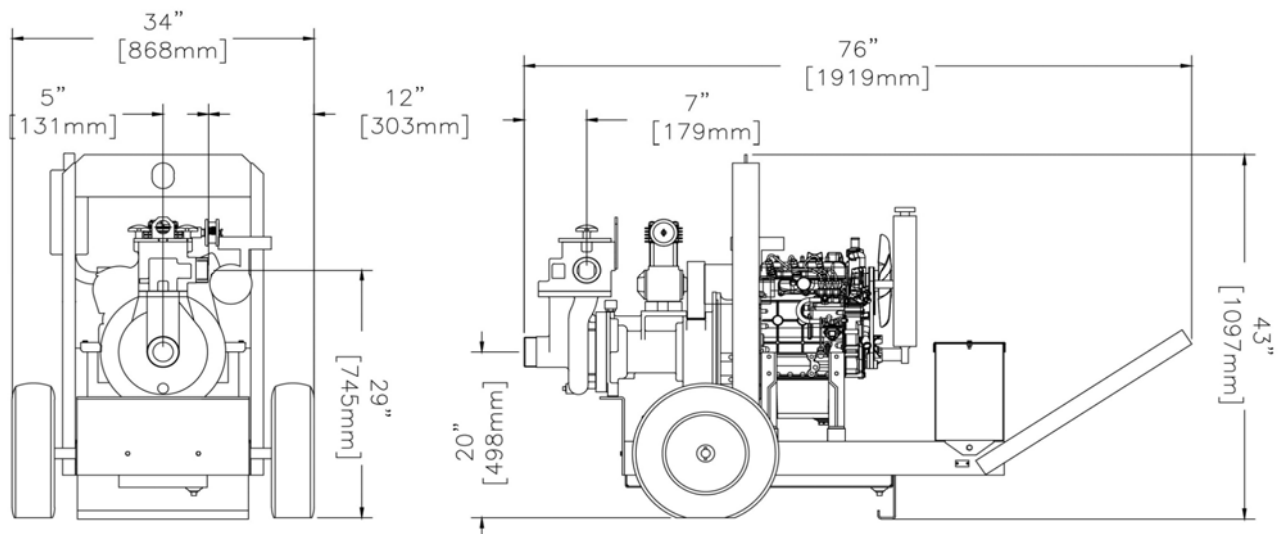
Max Fuel consumption @ 2600 rpm: 0.9 US Gal/hr

Weight (Dry): 780 lbs

Weight (Wet): 800 lbs

Dim.: (L) 76" x (W) 34" x (H) 43"

Performance data provided in tables is based on water tests at sea level and 20°C ambient. All information is approximate and for general guidance only. Please contact the factory or office for further details.



84 Floodgate Road  
Bridgeport, NJ 08014 USA  
(856) 467-3636 . Fax (856) 467-4841  
Email: sales@godwinpumps.com

Reference number : 95-1005-3000  
Date of issue : February 26, 2014  
Issue : 5

[www.godwinpumps.com](http://www.godwinpumps.com)